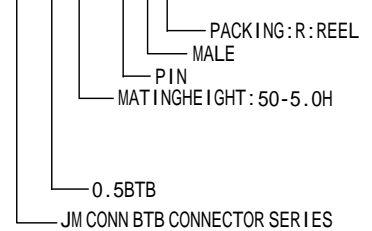


RECOMMENDED PCB PATTERN DIM.  
TOLERANCE : ±0.05

NOTES:

- 1.HUOSING: PA9T HIGH-TEMP THERMOPLASTIC UL94V-0 COLOR:BLACK
- 2.TERMINAL:PHOSPHOR BRONZE  
PLATING:1μ" GOLD FLASH OVERALL 50~100μ" NICKEL UNDER PLATED.
- 3.CODING INFORMATION:5001-BDC 0550-\*\* M R

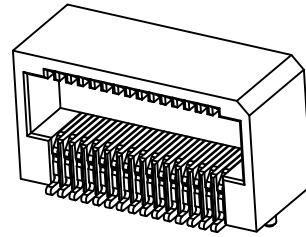
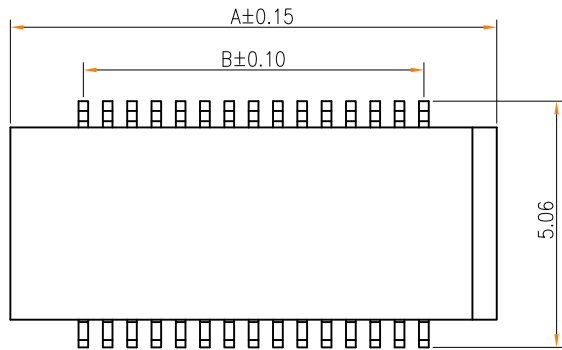


NO.of contacts	Dimensions				NO.of contacts	Dimensions			
	A.	B.	C.	D.		A.	B.	C.	D.
4	2.50	0.50	2.50	1.70	32	9.50	7.50	9.50	8.70
6	3.00	1.00	3.00	2.20	34	10.00	8.00	10.00	9.20
8	3.50	1.50	3.50	2.70	36	10.50	8.50	10.50	9.70
10	4.00	2.00	4.00	3.20	38	11.00	9.00	11.00	10.20
12	4.50	2.50	4.50	3.70	40	11.50	9.50	11.50	10.70
14	5.00	3.00	5.00	4.20	42	12.00	10.00	12.00	11.20
16	5.50	3.50	5.50	4.70	44	12.50	10.50	12.50	11.70
18	6.00	4.00	6.00	5.20	46	13.00	11.00	13.00	12.20
20	6.50	4.50	6.50	5.70	48	13.50	11.50	13.50	12.70
22	7.00	5.00	7.00	6.20	50	14.00	12.00	14.00	13.20
24	7.50	5.50	7.50	6.70	52	14.50	12.50	14.50	13.70
26	8.00	6.00	8.00	7.20	60	16.50	14.50	16.50	15.70
28	8.50	6.50	8.50	7.70	70	19.00	17.00	19.00	18.20
30	9.00	7.00	9.00	8.20	80	21.50	19.50	21.50	20.70

CUSTOMER		深圳市文章济美科技有限公司			
一般公差 GENERAL TOLERANCE .X ±0.25 .XX ±0.15 .XXX ±0.05 ANGLES ±1°	制图 (DR): Kavin 2016.07.05	品名(TITLE):	0.5mm 侧插BTB MALE		
版本 (REV) B	审核 (CHKD):	料号(PART NO):	5001-BDC0550-**MR		
比例(SCALE): 1:8	单位(UNITS): mm	张数(SHEET): 1 OF 1	图幅(SIZE): A4		

新增CAP规格	Kavin	02/17/17'
产品料号修正	Kavin	12/01/16'
修改摘要	签名	日期
修订 SER	REVISION DESCRIPTION	SIGNATURE DATE



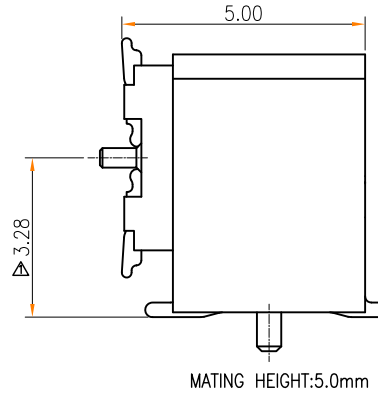
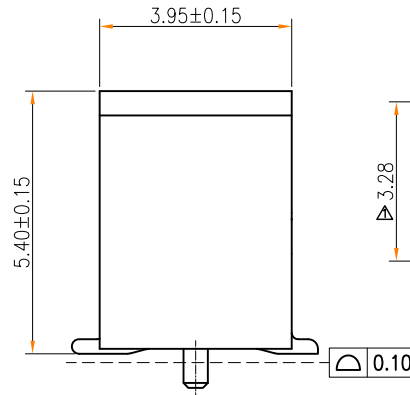
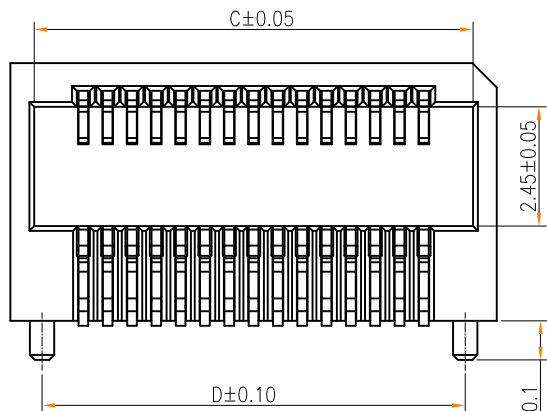


3D VIEW

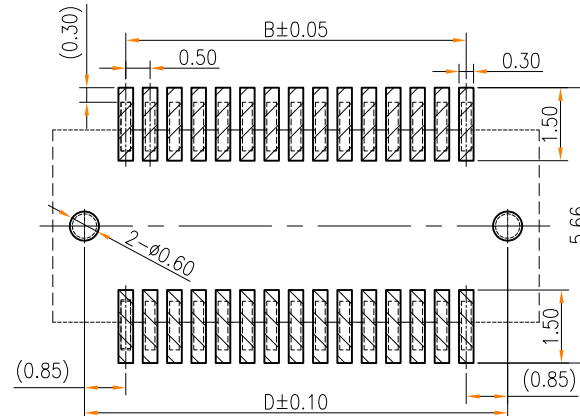
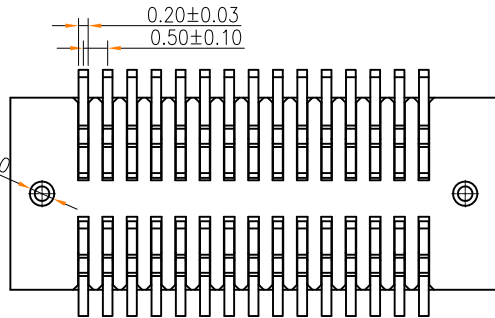
NOTES:

- 1.HUOSING: PA9T HIGH-TEMP THERMOPLASTIC UL94V-0 COLOR:BLACK
- 2.TERMINAL:PHOSPHOR BRONZE  
PLATING:1μ" GOLD FLASH OVERALL 50~100μ" NICKEL UNDER PLATED.
- 3.CODING INFORMATION:5001-BDC 0550- \*\* F R

PACKING: R: REEL  
FEMALE  
PIN  
MATING HEIGHT: 50-5.0H



MATING HEIGHT:5.0mm



RECOMMENDED PCB PATTERN DIM.

TOLERANCE : ±0.05

NO.of contacts	Dimensions				NO.of contacts	Dimensions			
	A	B	C	D		A	B	C	D
4	3.50	0.50	2.52	2.20	32	10.50	7.50	9.52	9.20
6	4.00	1.00	3.02	2.70	34	11.00	8.00	10.02	9.70
8	4.50	1.50	3.52	3.20	36	11.50	8.50	10.52	10.20
10	5.00	2.00	4.02	3.70	38	12.00	9.00	11.02	10.70
12	5.50	2.50	4.52	4.20	40	12.50	9.50	11.52	11.20
14	6.00	3.00	5.02	4.70	42	13.00	10.00	12.02	11.70
16	6.50	3.50	5.52	5.20	44	13.50	10.50	12.52	12.20
18	7.00	4.00	6.02	5.70	46	14.00	11.00	13.02	12.70
20	7.50	4.50	6.52	6.20	48	14.50	11.50	13.52	13.20
22	8.00	5.00	7.02	6.70	50	15.00	12.00	14.02	13.70
24	8.50	5.50	7.52	7.20	52	15.50	12.50	14.52	14.20
26	9.00	6.00	8.02	7.70	60	17.50	14.50	16.52	16.20
28	9.50	6.50	8.52	8.20	70	20.00	17.00	19.02	18.70
30	10.00	7.00	9.02	8.70	80	22.50	19.50	21.52	21.20

CUSTOMER 深圳市文章济美科技有限公司

一般公差 GENERAL TOLERANCE .X ±0.25 .XX ±0.15 .XXX ±0.05 ANGLES ±1°	制图 (DR): Kavin 2016.07.05	品名(TITLE): 0.5mm 侧插BTB FEMALE
审核 (CHKD):	料号(PART NO): 5001-BDC0550- **FR	
版本 (REV) B	比例(SCALE) 1:8	单位(UNITS) mm
核准 (APPD):	张数(SHEET) 1 OF 1	图幅(SIZE) A4

新增CAP规格	Kavin	02/17/17'
产品料号修正	Kavin	12/01/16'
修改摘要 REVISION DESCRIPTION	签名 SIGNATURE	日期 DATE

RoHS Compliant  
2013/95/EC

