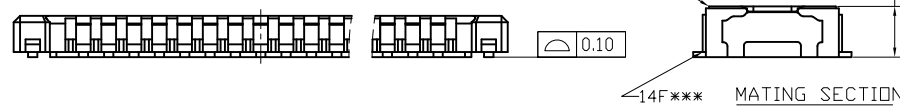
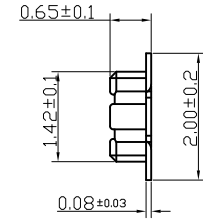
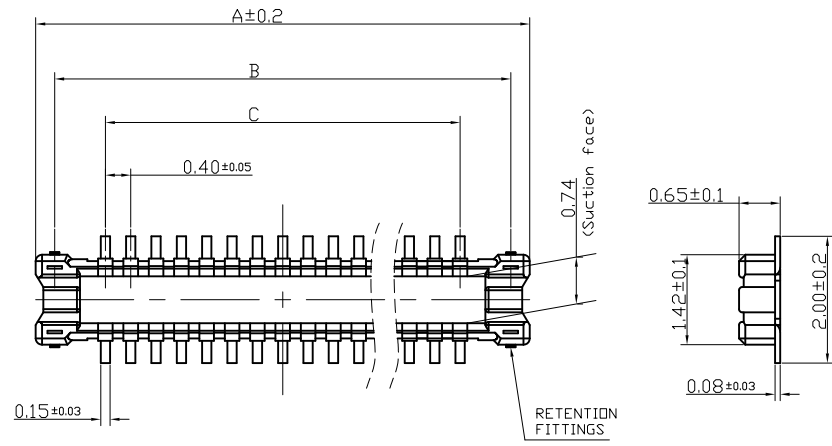


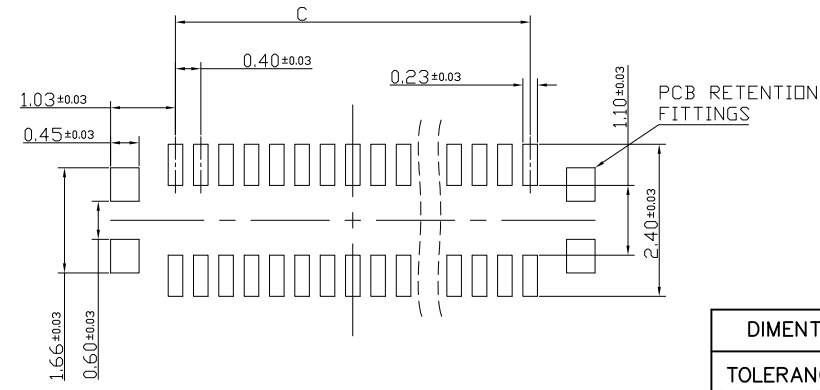
REV	ECN NO	DRA	APPD	DATE
A	FIRST RELEASE	George Gao	Human Zhou	2013.09.12



- Specifications:
- Material:
 - Molded portion: LCP resin (UL94 V-0)
 - Contact and Post: Copper alloy.
 - Surface treatment:
 - Terminal portion: Base: Ni plating Surface: Au plating (except the terminal tips) ; Exposed nickel portions.
 - Metal clips: Base: Ni plating Surface: Au flash plating (except the terminal tips) Or Base: Ni plating Surface: Sn flash plating (except the terminal tips)
 - Characteristics:
 - Rated voltage: 60V AC/DC
 - Rated current: 0.3A/contact (Max. 5A at total contact)
 - Insulation resistance: Min. 1000MΩ (initial)
 - Breakdown voltage: 150V AC for 1 min.
 - Saltwater spray resistance (header and socket mated): 24 hours, insulation resistance min.100MΩ, contact resistance max. 90mΩ
 - Contact resistance: Max. 90mΩ
 - Ambient temperature: -55°C~+85°C
 - Storage temperature: -55°C~+85°C (product only); -40°C~+50°C (emboss packing)
 - Composite insertion force: Max. 0.981N/contacts X contacts (initial)
 - Composite removal force: Min. 0.165N/contacts X contacts
 - Post holding force: Min. 0.49N/contacts
 - Insertion and removal life: 50 times

TABLE:

40	9.80	9.20	7.60
30	7.80	7.20	5.60
24	6.60	6.00	4.40
16	5.00	4.40	2.80
14	4.60	4.00	2.40
12	4.20	3.60	2.00
10	3.80	3.20	1.60
NUMBER OF CONTACTS	A	B	C



5014-GM***-04

HEADER _____ PITCH-0.4MM
 _____ NUMBER OF CONTACTS

DIMENSION IN mm		 深圳市文章济美科技有限公司 Shenzhen WenZhangJiMei technology co., LTD						
TOLERANCE UNLESS OTHERWISE SPECIFIED		APPD:	TITLE: 0.4MM BTB (MATING HEIGHT 0.8H)					
. ±0.20	. ±2°	CHKD:	DWG NO: 5014-GM***-04					
.0 ±0.10	.0 ±1°	DRA:	PROJ	Q'TY	SIZE	SHEET	SCALE	REV
.00 ±0.05	.00±0.5°	George Gao			A4	1/1	1:1	A
.000±0.03	.000±0.3°	2013.09.12						

REV	ECN NO	DRA	APPD	DATE
A	FIRST RELEASE	George Gao	Human Zhou	2013.09.12

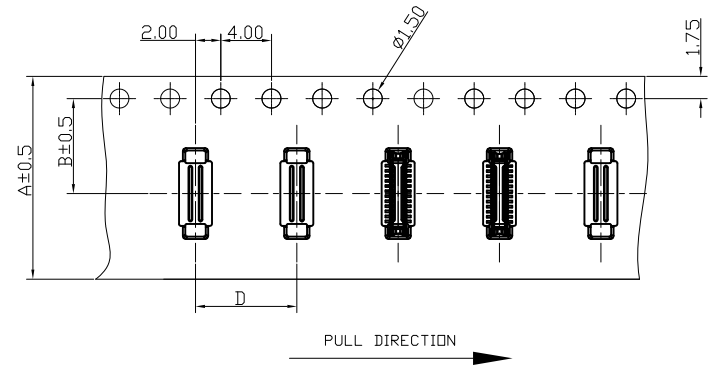
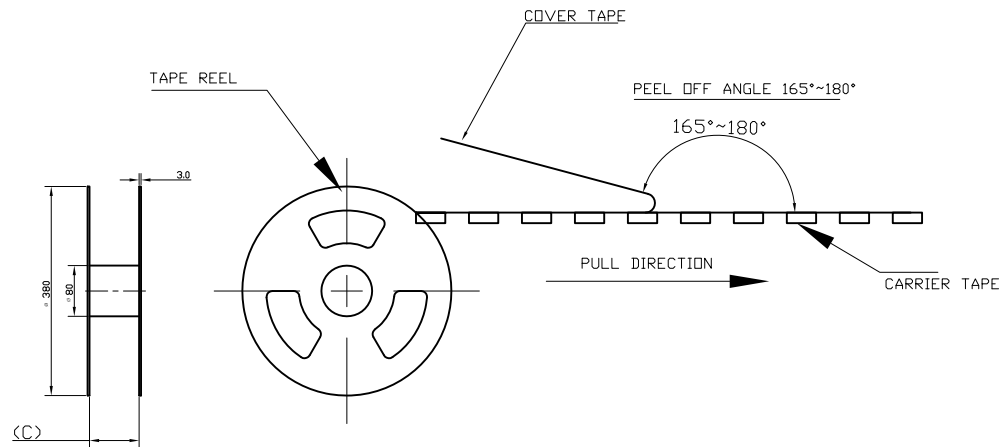
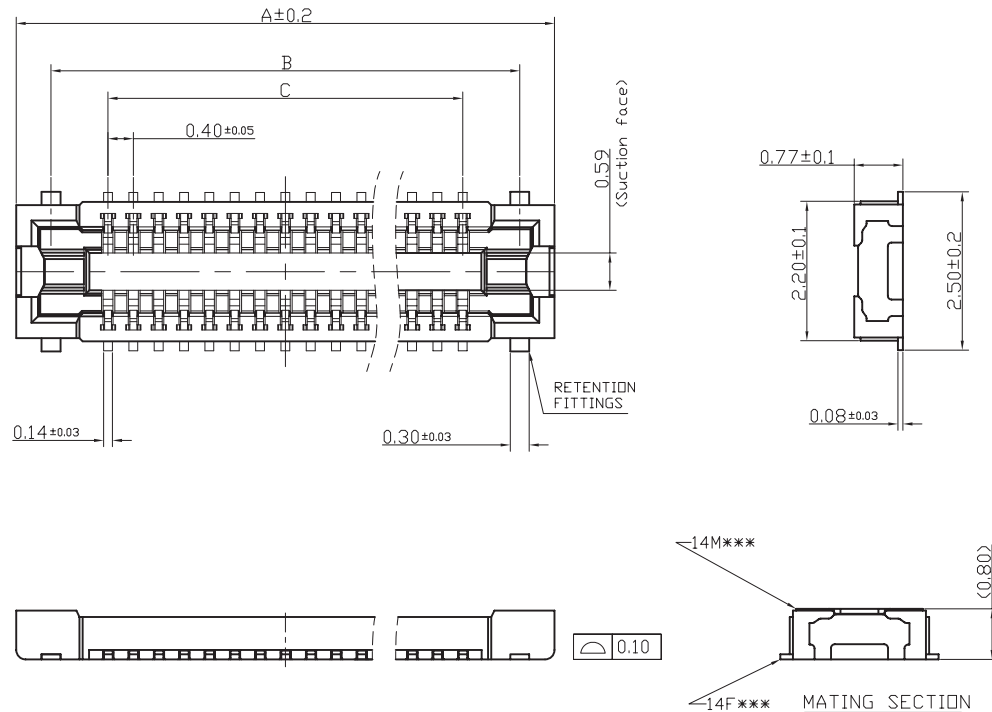


TABLE:

40	24.00	11.50	25.4	4.00	20000
30	16.00	7.50	17.4		
24					
16					
14	16.00	7.50	17.4	4.00	20000
12					
10					
NUMBER OF CONTACTS	A	B	C	D	QTY/REEL

DIMENSION IN mm		 深圳市文章济美科技有限公司 Shenzhen WenZhangJiMei technology co., LTD						
TOLERANCE UNLESS OTHERWISE SPECIFIED		APPD:	TITLE: 0.4MM BTB (MATING HEIGHT 0.8H)					
. ±0.20	. ±2°	CHKD:	DWG NO: 5014-GM***-04					
.0 ±0.10	.0 ±1°	DRA:	PROJ	Q'TY	SIZE	SHEET	SCALE	REV
.00 ±0.05	.00±0.5°	George Gao	---	---	A4	1/1	1:1	A
.000±0.03	.000±0.3°	2013.09.12						

REV	ECN NO	DRA	APPD	DATE
A	FIRST RELEASE	George Gao	Human Zhou	2013.09.18
B	SECOND VERSINDNS	George Gao	Human Zhou	2015.10.22



Specifications:

1) Material:

- 1-1. Molded portion: LCP resin (UL94 V-0)
- 1-2. Contact and Post: Copper alloy.

2) Surface treatment:

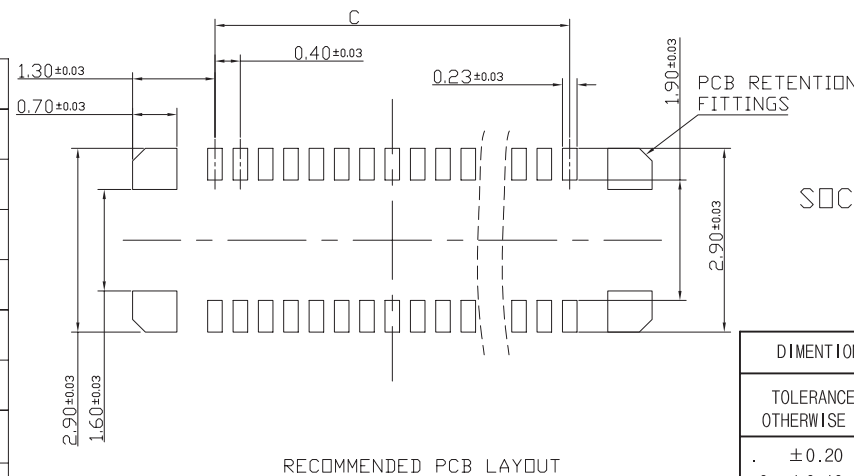
- 2-1. Terminal portion: Base: Ni plating Surface: Au plating (except the terminal tips) ; Exposed nickel portions.
- 2-2. Metal clips: Base: Ni plating Surface: Au flash plating (except the terminal tips) Or Base: Ni plating Surface: Sn flash plating (except the terminal tips)

3) Characteristics:

- 3-1. Rated voltage: 60V AC/DC
- 3-2. Rated current: 0.3A/contact (Max. 5A at total contact)
- 3-3. Insulation resistance: Min. 1000MΩ (initial)
- 3-4. Breakdown voltage: 150V AC for 1 min.
- 3-5. Saltwater spray resistance (header and socket mated): 24 hours, insulation resistance min.100MΩ, contact resistance max. 90mΩ
- 3-6. Contact resistance: Max. 90mΩ
- 3-7. Ambient temperature: -55℃~+85℃
- 3-8. Storage temperature: -55℃~+85℃ (product only); -40℃~+50℃ (emboss packing)
- 3-9. Composite insertion force: Max. 0.981N/contacts X contacts (initial)
- 3-10. Composite removal force: Min. 0.165N/contacts X contacts
- 3-11. Post holding force: Min. 0.49N/contacts
- 3-12. Insertion and removal life: 30 times


TABLE:

70	16.50	15.40	13.60
50	12.50	11.40	9.60
40	10.50	9.40	7.60
34	9.30	8.20	6.40
30	8.50	7.40	5.60
24	7.30	6.20	4.40
16	5.70	4.60	2.80
12	4.90	3.80	2.00
10	4.50	3.40	1.60
NUMBER OF CONTACTS	A	B	C



5014-F***-04

SOCKET
PITCH=0.4MM
NUMBER OF CONTACTS

DIMENTION IN mm		 深圳市文章济美科技有限公司 Shenzhen WenZhangJiMei technology co., LTD	
TOLERANCE UNLESS OTHERWISE SPECIFIED		APPD:	TITLE: 0.4MM BTB (MATING HEIGHT 0.8H)
. ±0.20	. ±2°	CHKD:	DWG NO: 5014-F***-04
.0 ±0.10	.0 ±1°	DRA: George Gao 2015.10.22	
.00 ±0.05	.00 ±0.5°	PROJ	Q'TY
.000 ±0.03	.000 ±0.3°	SIZE	SHEET
		SCALE	REV
		1:1	B

REV	ECN NO	DRA	APPD	DATE
A	FIRST RELEASE	George Gao	Human zhou	2013.09.12

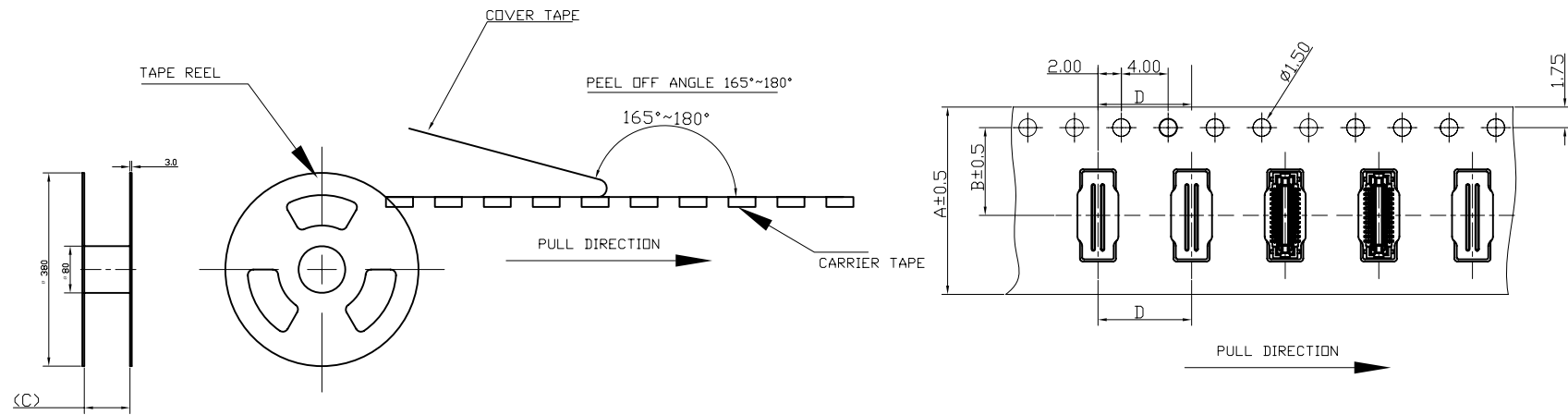



TABLE:

70	24.00	11.50	25.4	8.00	10000
50				4.00	20000
40					
34	16.00	7.50	17.4	8.00	10000
30					
24					
16					
12	A	B	C	D	QTY/REEL
10					
NUMBER OF CONTACTS	A	B	C	D	QTY/REEL

DIMENTION IN mm		 深圳市文章济美科技有限公司 Shenzhen WenZhangJiMei technology co., LTD						
TOLERANCE UNLESS OTHERWISE SPECIFIED		APPD:	TITLE: 0.4MM BTB (MATING HEIGHT 0.8H)					
. ±0.20	. ±2°	CHKD:	DWG NO: 5014-F***-04					
.0 ±0.10	.0 ±1°	DRA: George Gao 2013.09.18	PROJ	Q'TY	SIZE	SHEET	SCALE	REV
.00 ±0.05	.00±0.5°				A4	1/1	1:1	A
.000±0.03	.000±0.3°							