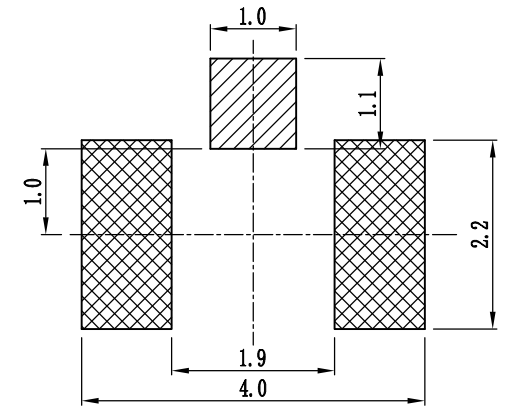
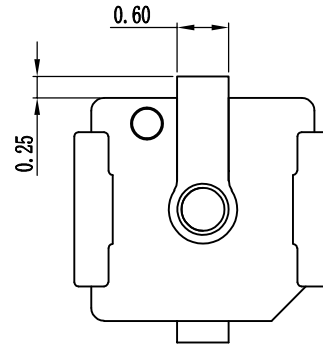
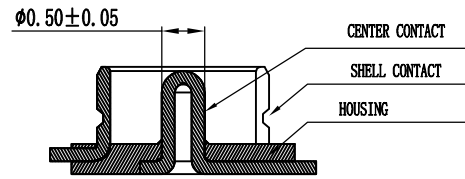
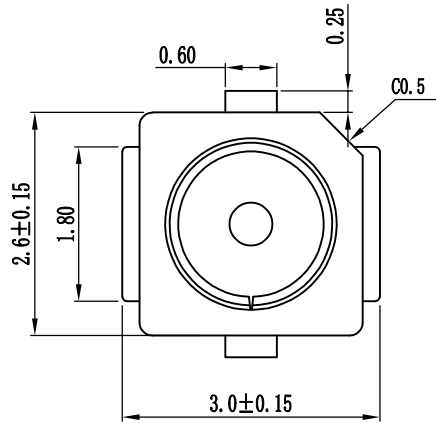
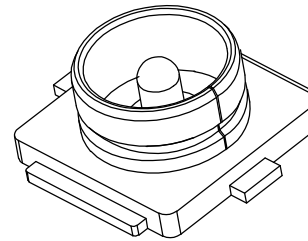
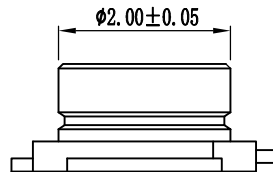
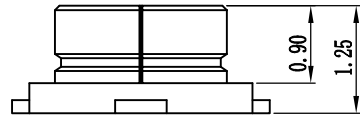


Rev	ECN Number	Description	Date	Drawn	Checkd	Approved



RECOMMENDED PCB LAYOUT

(TOLERANCE: ±0.05)



NOTES :

1.0. RATING :

- 1.1. VOLTAGE :60 VAC (R.M.S.)
- 1.2. NOMINAL CHARACTERISTIC IMPEDANCE: 50 Ohm
- 1.3. APPLICABLE FREQUENCY: DC ~ 6GHz
- 1.4. VSWR: 1.3 MAX. (DC~3GHz), 1.5 MAX. (3~6GHz)
- 1.5. TEMPERATURE : -40° C TO +85° C
- 1.6. APPLIED TO IR SOLDERING PROCESS

2.0. MATERIAL SEE BILL OF MATERIAL :

- 2.1. HOUSING: THERMOPLASTIC, UL94V-0,
- 2.2. CENTER CONTACT : COPPER ALLOY.
- 2.3. SHELL CONTACT: COPPER ALLOY.

东莞市文章济美电子有限公司
Dongguan wenzhangjimei Electronics Co., LTD

GENERAL TOLERANCE

XX. ±0.40	
X. ±0.25	X. ° ±.0°
.X ±0.13	.X° ±.0°
.XX ±0.05	.XX° ±.5°

SCALE:

1:1

SIZE:

CHECK

DATE:

DATE:

DATE:

SWG. NO

PARTS NO. (INTENDED USE)

5001-RF00001-03R1-00

TITLE

FR01(成品图)

REV

SHEET

A

B

C

D

E

F