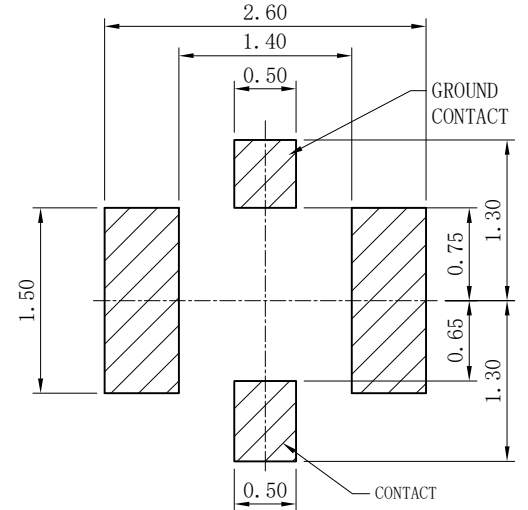
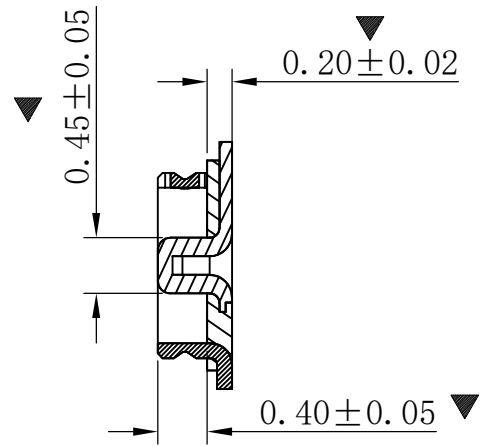
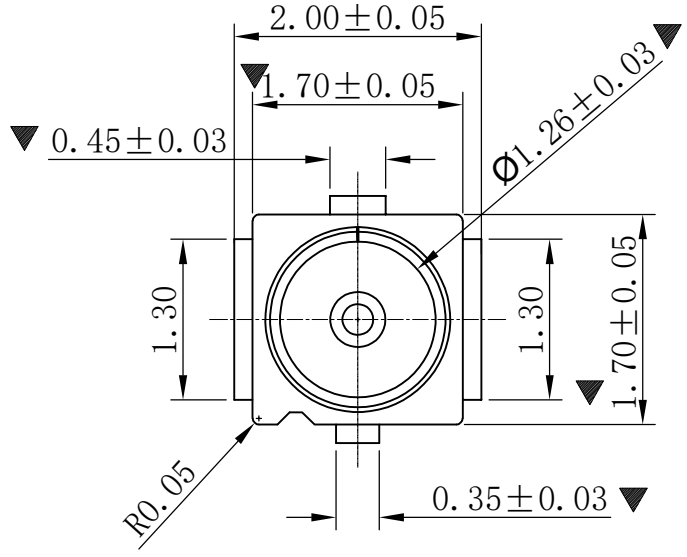
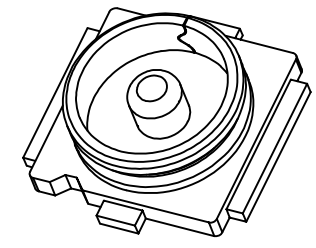
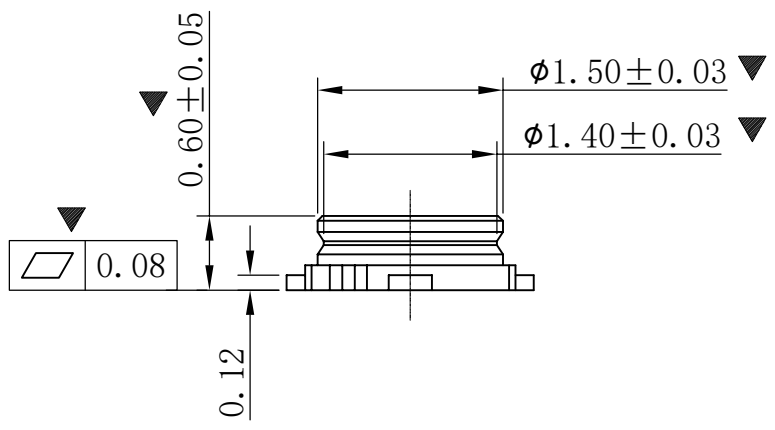


Rev	ECN Number	Description	Date	Drawn	Checkd	Approved



RECOMMENDED P.C.B. LAYOUT
TOP VIEW (TOLERANCE: ±0.05)



3D

- 备注 (NOTES):
- 电性能
 - 绝缘电阻: 500MΩ
 - 耐压: 200V AC 1min
 - 接触电阻:
 - 内导体: 20mΩ
 - 外导体: 10mΩ
 - 标有"▼"为重点检测尺寸, 标有"【X】"为要求做Cpk检测尺寸, Cpk值需等于或大于1.33, 标有"〃"为全检尺寸
 - 焊接锡脚为镀Au要求区, 不可有塑胶包边, 刮伤, 变形, 腐蚀, 锈斑等情形
 - 符合盐雾测试48H要求, 四个焊锡脚吃锡面积不小于95%
 - 有害物质须符合ECT环保禁用物质管控标准
 - 产品必须经过2次无铅Reflow制程

东莞市文章济美电子有限公司
Dongguan wenzhangjimei Electronics Co., LTD

GENERAL TOLERANCE	
XX. ±0.40	
X. ±0.25	X. ° ±.0°
.X ±0.13	.X° ±.0°
.XX ±0.05	.XX° ±.5°

SCALE:	1:1
UNIT:	mm
SIZE:	A4

DATE:	
CHECK:	
APPROVE:	

SWG. NO	
PARTS NO. (INTENDED USE)	5001-RF00004-03R1-00

TITLE	ASSEMBLY DRAWING USS RF插座, 4代, HO. 6mm USS RF SERIES
-------	--

REV	
SHEET	

A B C D E F