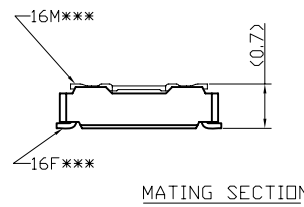
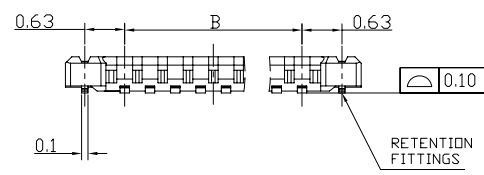
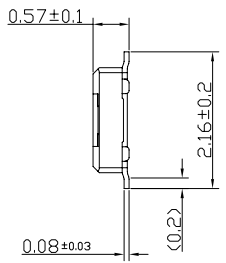
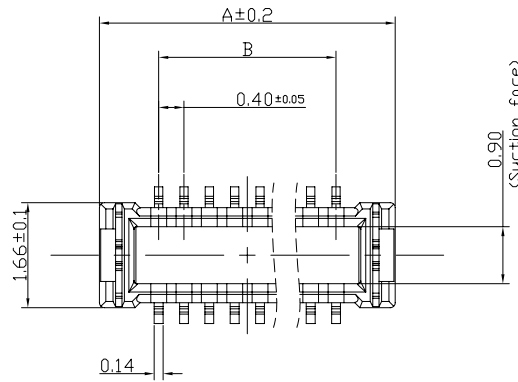
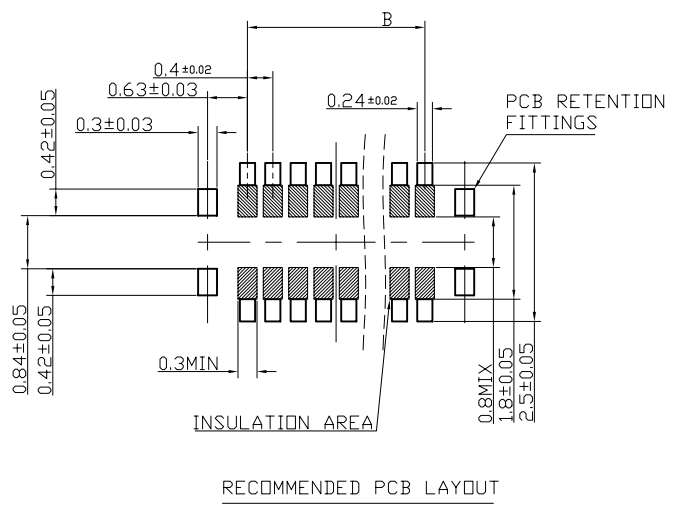


REV	ECN NO	DRA	APPD	DATE
A	FIRST RELEASE	George Gao	Human Zhou	2013.09.18



- Specifications:**
- Material:**
    - Molded portion: LCP resin ( UL94 V-0)
    - Contact and Post: Copper alloy.
  - Surface treatment:**
    - Terminal portion: Base: Ni plating Surface: Au plating (except the terminal tips) ; Exposed nickel portions.
    - Metal clips: Base: Ni plating Surface: Au flash plating (except the terminal tips) Or Base: Ni plating Surface: Sn flash plating (except the terminal tips)
  - Characteristics:**
    - Rated voltage: 60V AC/DC
    - Rated current: 0.3A/contact (Max. 5A at total contact)
    - Insulation resistance: Min. 1000MΩ (initial)
    - Breakdown voltage: 150V AC for 1 min.
    - Saltwater spray resistance (header and socket mated): 24 hours, insulation resistance min.100MΩ, contact resistance max. 90mΩ
    - Contact resistance: Max. 90mΩ
    - Ambient temperature: -55℃~+85℃
    - Storage temperature: -55℃~+85℃ (product only); -40℃~+50℃ (emboss packing)
    - Composite insertion force: Max. 0.981N/contacts X contacts (initial)
    - Composite removal force: Min. 0.165N/contacts X contacts
    - Post holding force: Min. 0.49N/contacts
    - Insertion and removal life: 50 times



5016-M\*\*\*-04


SOCKET

PITCH=0.4MM

NUMBER OF CONTACTS

TABLE:

34	8.27	6.40
30	7.47	5.60
16	4.67	2.80
6	2.67	0.80
NUMBER OF CONTACTS	A	B

DIMENTION IN mm		 <b>深圳市文章济美科技有限公司</b> Shenzhen WenZhangJiMei technology co., LTD						
TOLERANCE UNLESS OTHERWISE SPECIFIED		APPD:	TITLE: 0.4MM BTB (MATING HEIGHT 0.7H)					
. ±0.20	. ±2°	CHKD:	DWG NO: 5016-M***-04					
.0 ±0.10	.0 ±1°	DRA: George Gao 2013.09.18	PROJ	Q'TY	SIZE	SHEET	SCALE	REV
.00 ±0.05	.00±0.5°				A4	1/1	1:1	A
.000±0.03	.000±0.3°							

REV	ECN NO	DRA	APPD	DATE
A	FIRST RELEASE	George Gao	Human zhou	2013.09.12

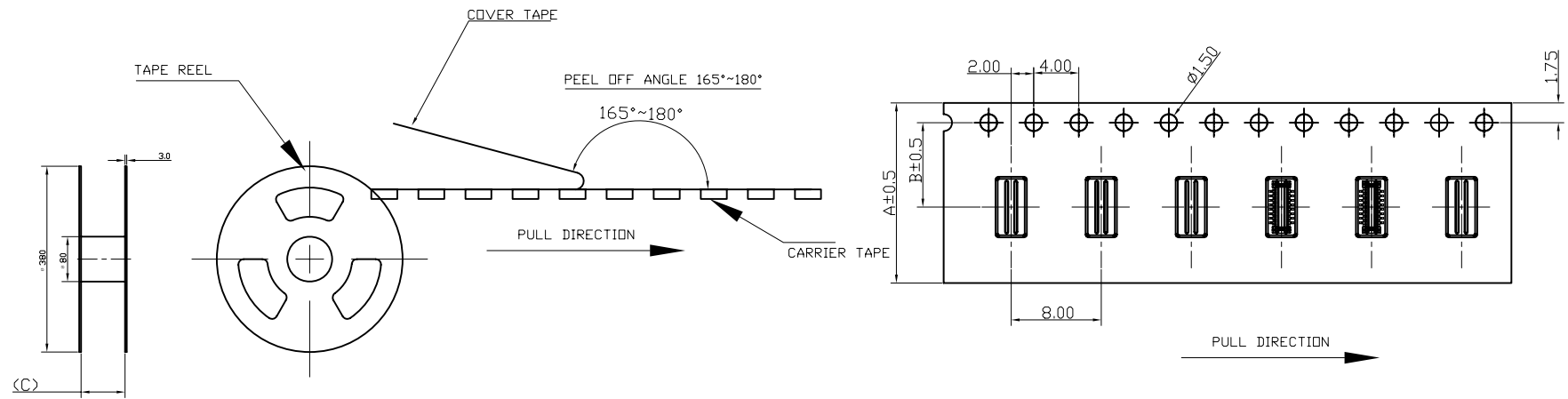

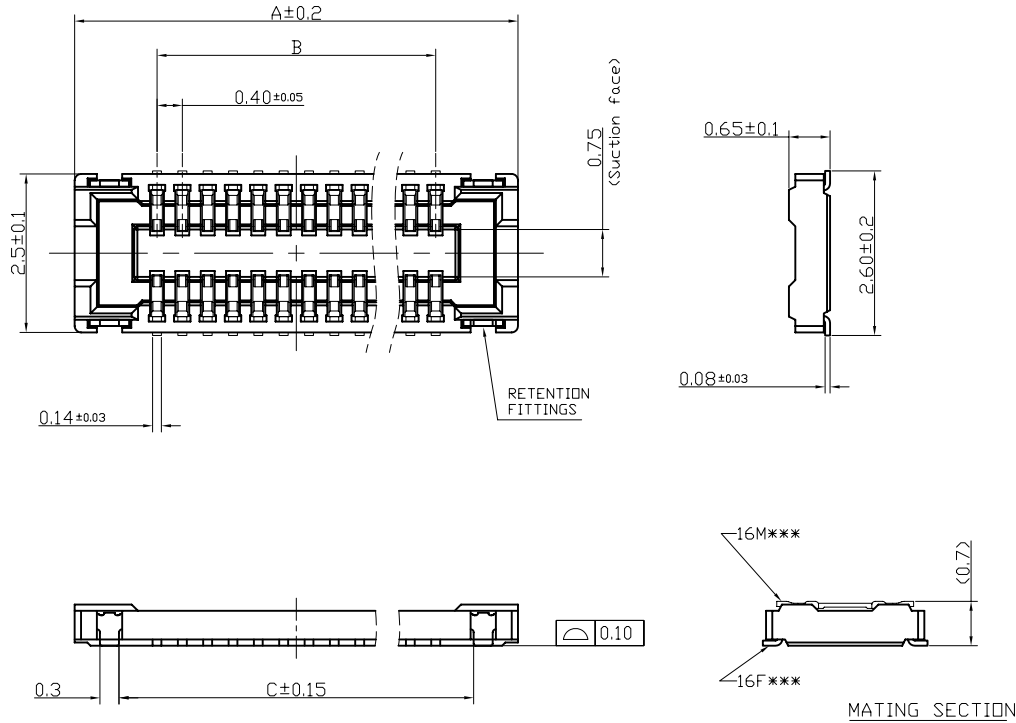


TABLE:

34	24.00	11.50	25.4	10000
30	16.00	7.50	17.4	
16				
NUMBER OF CONTACTS	A	B	C	QTY/REEL

DIMENTION IN mm		 <b>深圳市文章济美科技有限公司</b> Shenzhen WenZhangJiMei technology co., LTD	
TOLERANCE UNLESS OTHERWISE SPECIFIED		APPD:	TITLE: 0.4MM BTB (MATING HEIGHT 0.7H)
. ±0.20	. ±2°	CHKD:	DWG NO: 5016-M***-04
.0 ±0.10	.0 ±1°	DRA: George Gao 2013.09.18	
.00 ±0.05	.00±0.5°	PROJ	Q'TY
.000±0.03	.000±0.3°	SIZE	SHEET
		SCALE	REV
		1:1	A

REV	ECN NO	DRA	APPD	DATE
A	FIRST RELEASE	George Gao	Human Zhou	2013.09.18



Specifications:

1) Material:

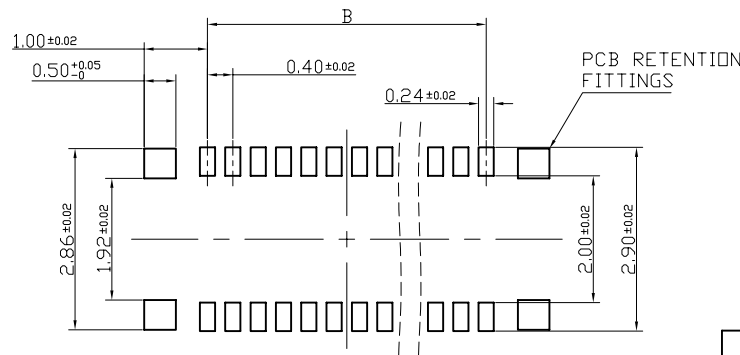
- 1-1. Molded portion: LCP resin ( UL94 V-0)
- 1-2. Contact and Post: Copper alloy.

2) Surface treatment:

- 2-1. Terminal portion: Base: Ni plating Surface: Au plating (except the terminal tips) ; Exposed nickel portions.
- 2-2. Metal clips: Base: Ni plating Surface: Au flash plating (except the terminal tips) Or Base: Ni plating Surface: Sn flash plating (except the terminal tips)

3) Characteristics:

- 3-1. Rated voltage: 60V AC/DC
- 3-2. Rated current: 0.3A/contact (Max. 5A at total contact)
- 3-3. Insulation resistance: Min. 1000MΩ (initial)
- 3-4. Breakdown voltage: 150V AC for 1 min.
- 3-5. Saltwater spray resistance (header and socket mated): 24 hours, insulation resistance min.100MΩ, contact resistance max. 90mΩ
- 3-6. Contact resistance: Max. 90mΩ
- 3-7. Ambient temperature: -55℃~+85℃
- 3-8. Storage temperature: -55℃~+85℃ (product only); -40℃~+50℃ (emboss packing)
- 3-9. Composite insertion force: Max. 0.981N/contacts X contacts (initial)
- 3-10. Composite removal force: Min. 0.165N/contacts X contacts
- 3-11. Post holding force: Min. 0.49N/contacts
- 3-12. Insertion and removal life: 50 times



5016-F\*\*\*-04

SOCKET ——— PITCH-0.4MM  
 ——— NUMBER OF CONTACTS

TABLE:

42	10.60	8.00	9.20
30	8.20	5.60	6.80
24	7.00	4.40	5.60
18	5.80	3.20	4.40
16	5.40	2.80	4.00
12	4.60	2.00	3.20
6	3.40	0.80	2.00

NUMBER OF CONTACTS	A	B	C
--------------------	---	---	---

DIMENTION IN mm		<b>深圳市文章济美科技有限公司</b> Shenzhen WenZhangJiMei technology co., LTD	
TOLERANCE UNLESS OTHERWISE SPECIFIED		APPD:	TITLE: 0.4MM BTB (MATING HEIGHT 0.7H)
. ±0.20	. ±2°	CHKD:	DWG NO: 5016-F***-04
.0 ±0.10	.0 ±1°	DRA: George Gao 2013.09.18	
.00 ±0.05	.00±0.5°	PROJ	Q'TY
.000±0.03	.000±0.3°	SIZE	SHEET
		SCALE	REV
		---	A4
		1/1	1:1
			A

REV	ECN NO	DRA	APPD	DATE
A	FIRST RELEASE	George Gao	Human zhou	2013.09.12

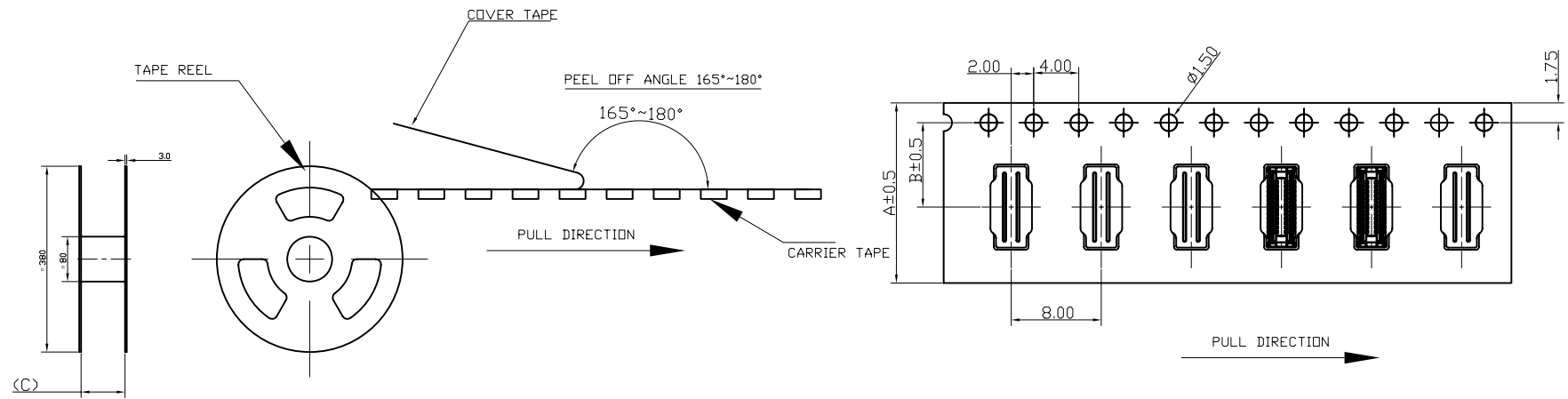


TABLE:

42	24.00	11.50	25.4	5000
30	16.00	7.50	17.4	
24				
18				
16				
12				
6				A

DIMENTION IN mm		 <b>深圳市文章济美科技有限公司</b> Shenzhen WenZhangJiMei technology co., LTD	
TOLERANCE UNLESS OTHERWISE SPECIFIED		APPD:	TITLE: 0.4MM BTB (MATING HEIGHT 0.7H)
. ±0.20	. ±2°	CHKD:	DWG NO: 5016-F***-04
.0 ±0.10	.0 ±1°	DRA: George Gao 2013.09.18	
.00 ±0.05	.00 ±0.5°	PROJ	Q'TY
.000 ±0.03	.000 ±0.3°	SIZE	SHEET
		SCALE	REV
		1:1	A