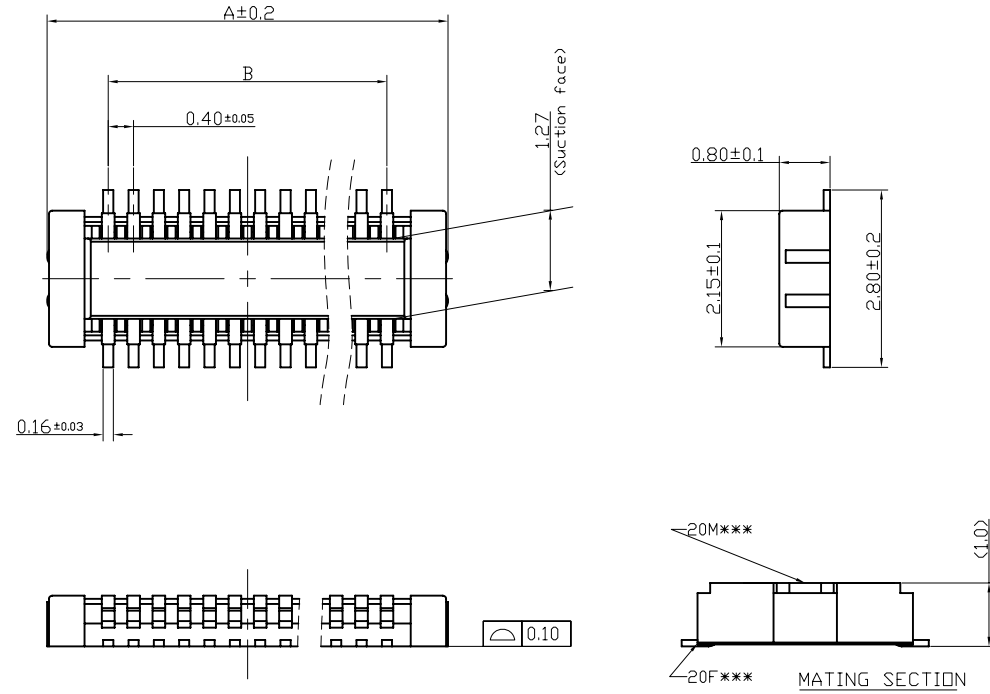


REV	ECN NO	DRA	APPD	DATE
A	FIRST RELEASE	George Gao	Human Zhou	2013.09.12



Specifications:

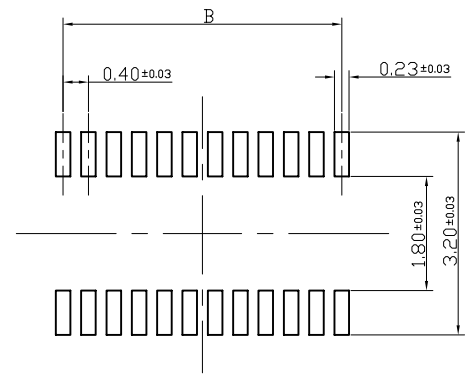
- 1) Material:
 - 1-1. Molded portion: LCP resin (UL94 V-0)
 - 1-2. Contact and Post: Copper alloy.
- 2) Surface treatment:
 - 2-1. Terminal portion: Base: Ni plating Surface: Au plating (except the terminal tips) ; Exposed nickel portions.
 - 2-2. Metal clips: Base: Ni plating Surface: Au flash plating (except the terminal tips) Or Base: Ni plating Surface: Sn flash plating (except the terminal tips)
- 3) Characteristics:
 - 3-1. Rated voltage: 60V AC/DC
 - 3-2. Rated current: 0.3A/contact (Max. 5A at total contact)
 - 3-3. Insulation resistance: Min. 1000M Ω (initial)
 - 3-4. Breakdown voltage: 150V AC for 1 min.
 - 3-5. Saltwater spray resistance (header and socket mated): 24 hours, insulation resistance min.100M Ω , contact resistance max. 90m Ω
 - 3-6. Contact resistance: Max. 90m Ω
 - 3-7. Ambient temperature: -55 $^{\circ}$ C +85 $^{\circ}$ C
 - 3-8. Storage temperature: -55 $^{\circ}$ C +85 $^{\circ}$ C (product only); -40 $^{\circ}$ C +50 $^{\circ}$ C (emboss packing)
 - 3-9. Composite insertion force: Max. 0.981N/contacts X contacts (initial)
 - 3-10. Composite removal force: Min. 0.165N/contacts X contacts
 - 3-11. Post holding force: Min. 0.49N/contacts
 - 3-12. Insertion and removal life: 50 times

5020-M***-04

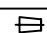
HEADER _____ PITCH-0.4MM
 _____ NUMBER OF CONTACTS

TABLE:

40	9.50	7.60
30	7.50	5.60
24	6.30	4.40
10	3.50	1.60
NUMBER OF CONTACTS	A	B



RECOMMENDED PCB LAYOUT

DIMENTION IN mm		 深圳市文章济美科技有限公司 Shenzhen WenZhangJiMei technology co., LTD						
TOLERANCE UNLESS OTHERWISE SPECIFIED		APPD:	TITLE: 0.4MM BTB (MATING HEIGHT 1.0H)					E
		CHKD:	DWG NO: 5020-M***-04					
± 0.20	$\pm 2^{\circ}$	DRA: George Gao	PROJ	Q'TY	SIZE	SHEET	SCALE	REV
0.0 ± 0.10	$0.0 \pm 1^{\circ}$	2013.09.12		--	A4	1/1	1:1	A
0.00 ± 0.05	$0.00 \pm 0.5^{\circ}$							
0.000 ± 0.03	$0.000 \pm 0.3^{\circ}$							

1

2

3

4

5

6

7

8

REV	ECN NO	DRA	APPD	DATE
A	FIRST RELEASE	George Gao	Human Zhou	2013.09.12

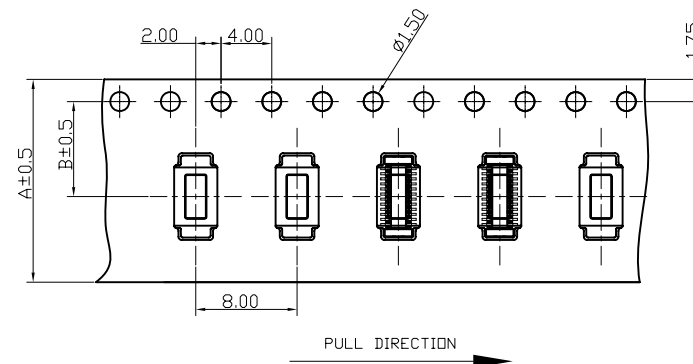
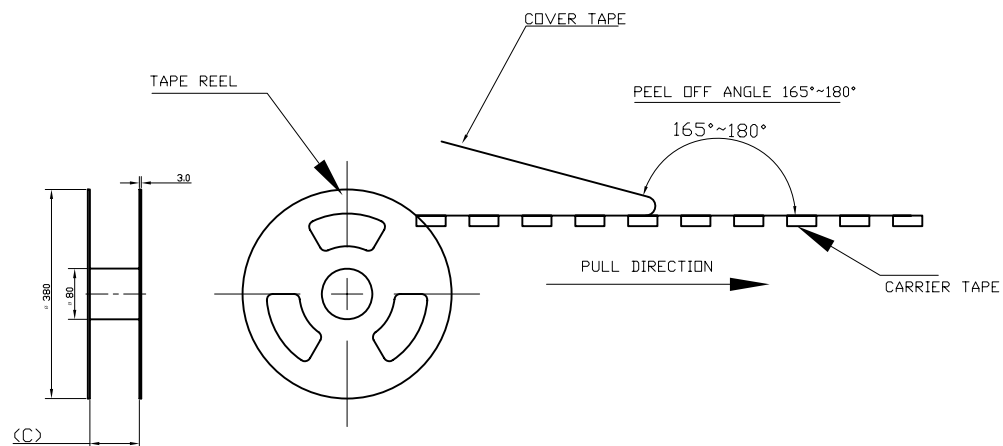


TABLE:

40	24.00	11.50	25.4	10000
30				
24	16.00	7.50	17.4	
10				
NUMBER OF CONTACTS	A	B	C	QTY/REEL

DIMENSION IN mm		 深圳市文章济美科技有限公司 Shenzhen WenZhangJiMei technology co., LTD						
TOLERANCE UNLESS OTHERWISE SPECIFIED		APPD:	TITLE: 0.4MM BTB (MATING HEIGHT 1.0H)					E
		CHKD:	DWG NO: 5020-M***-04					
. ±0.20	. ±2°	DRA:	PROJ	Q'TY	SIZE	SHEET	SCALE	REV
.0 ±0.10	.0 ±1°	George Gao		--	A4	1/1	1:1	A
.00 ±0.05	.00 ±0.5°	2013.09.12						
.000 ±0.03	.000 ±0.3°							

1

2

3

4

5

6

7

8

REV	ECN NO	DRA	APPD	DATE
A	FIRST RELEASE	George Gao	Human Zhou	2013.09.18

A

B

C

D

E

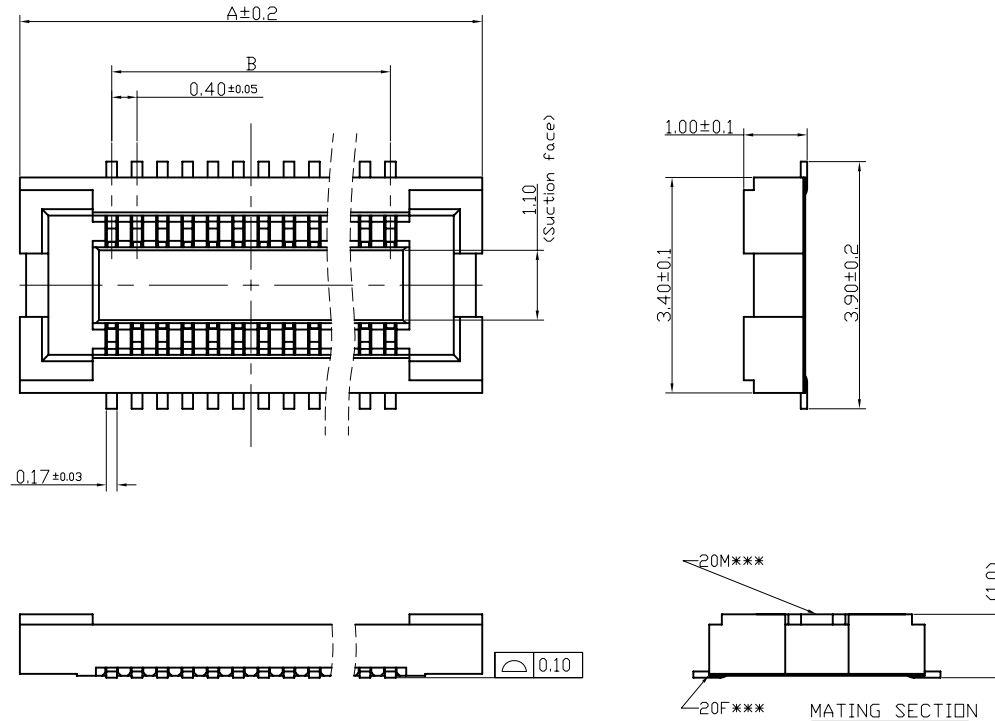
A

B

C

D

E



Specifications:

1) Material:

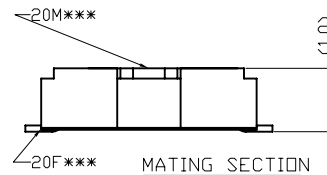
- 1-1. Molded portion: LCP resin (UL94 V-0)
- 1-2. Contact and Post: Copper alloy.

2) Surface treatment:

- 2-1. Terminal portion: Base: Ni plating Surface: Au plating (except the terminal tips) ; Exposed nickel portions.
- 2-2. Metal clips: Base: Ni plating Surface: Au flash plating (except the terminal tips) Or Base: Ni plating Surface: Sn flash plating (except the terminal tips)

3) Characteristics:

- 3-1. Rated voltage: 60V AC/DC
- 3-2. Rated current: 0.3A/contact (Max. 5A at total contact)
- 3-3. Insulation resistance: Min. 1000MΩ (initial)
- 3-4. Breakdown voltage: 150V AC for 1 min.
- 3-5. Saltwater spray resistance (header and socket mated): 24 hours, insulation resistance min.100MΩ, contact resistance max. 90mΩ
- 3-6. Contact resistance: Max. 90mΩ
- 3-7. Ambient temperature: -55℃~+85℃
- 3-8. Storage temperature: -55℃~+85℃ (product only); -40℃~+50℃ (emboss packing)
- 3-9. Composite insertion force: Max. 0.981N/contacts X contacts (initial)
- 3-10. Composite removal force: Min. 0.165N/contacts X contacts
- 3-11. Post holding force: Min. 0.49N/contacts
- 3-12. Insertion and removal life: 50 times



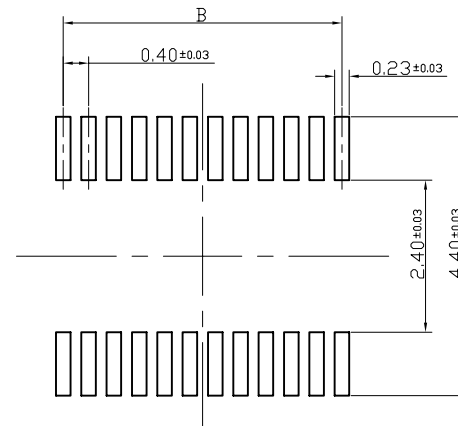
5020-F***-04

SOCKET

PITCH-0.4MM
NUMBER OF CONTACTS

TABLE:

40	10.50	7.60
30	8.50	5.60
24	7.30	4.40
10	4.50	1.60
NUMBER OF CONTACTS	A	B



RECOMMENDED PCB LAYOUT

DIMENTION IN mm		 深圳市文章济美科技有限公司 Shenzhen WenZhangJiMei technology co., LTD						
TOLERANCE UNLESS OTHERWISE SPECIFIED		APPD:	TITLE: 0.4MM BTB (MATING HEIGHT 1.0H)					E
. ±0.20	. ±2°	CHKD:	DWG NO: 5020-F***-04					
.0 ±0.10	.0 ±1°	DRA:	PROJ	Q'TY	SIZE	SHEET	SCALE	REV
.00 ±0.05	.00 ±0.5°	George Gao	---	---	A4	1/1	1:1	A
.000 ±0.03	.000 ±0.3°	2013.09.18						

1

2

3

4

5

6

7

8

REV	ECN NO	DRA	APPD	DATE
A	FIRST RELEASE	George Gao	Human Zhou	2013.09.12

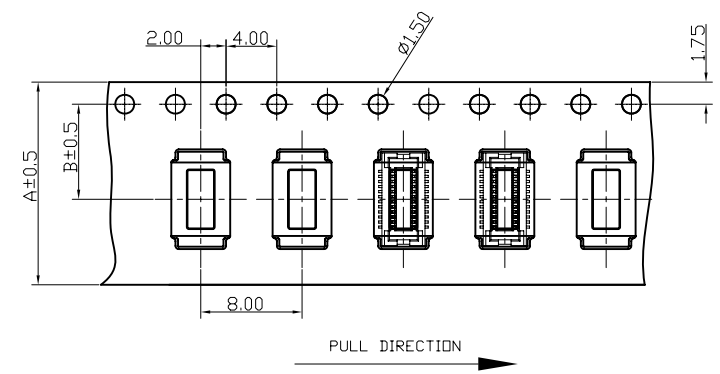
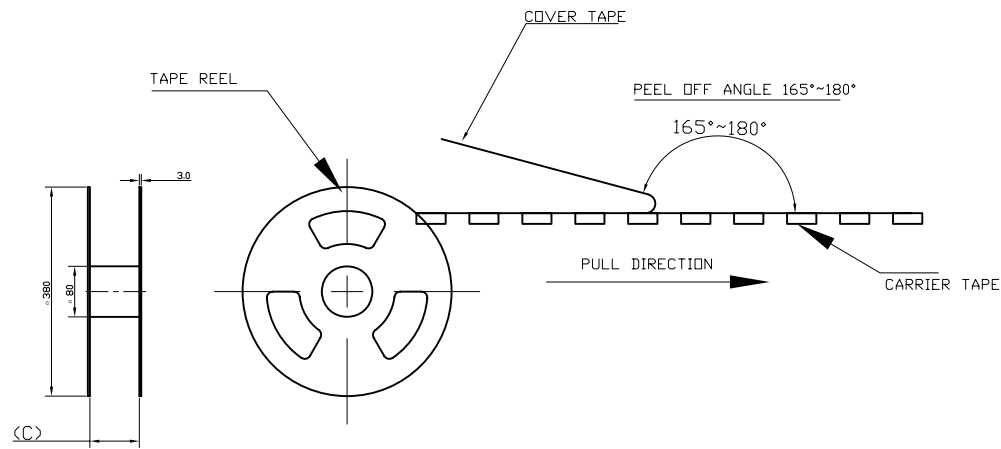



TABLE:

40	24.00	11.50	25.4	8000
30	16.00	7.50	17.4	
24				
10				
NUMBER OF CONTACTS	A	B	C	QTY/REEL

DIMENSION IN mm		 深圳市文章济美科技有限公司 Shenzhen WenZhangJiMei technology co., LTD						
TOLERANCE UNLESS OTHERWISE SPECIFIED		APPD:	TITLE: 0.4MM BTB (MATING HEIGHT 1.0H)					E
		CHKD:	DWG NO: 5020-F***-04					
. ±0.20	. ±2°	DRA:	PROJ	Q'TY	SIZE	SHEET	SCALE	REV
.0 ±0.10	.0 ±1°	George Gao	☐ ⊕	--	A4	1/1	1:1	A
.00 ±0.05	.00 ±0.5°	2013.09.18						
.000 ±0.03	.000 ±0.3°							