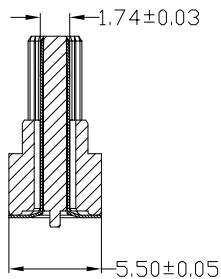
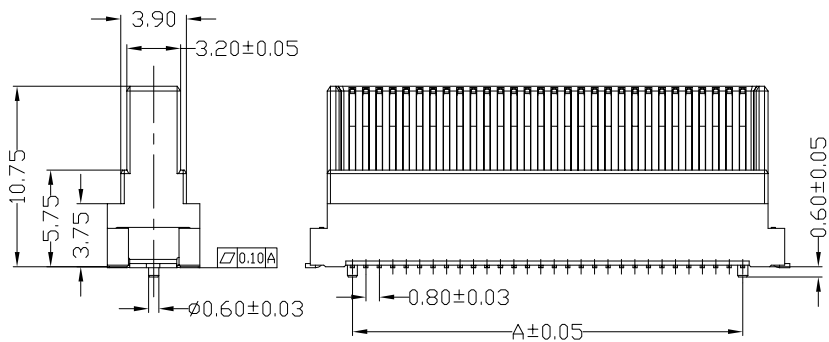
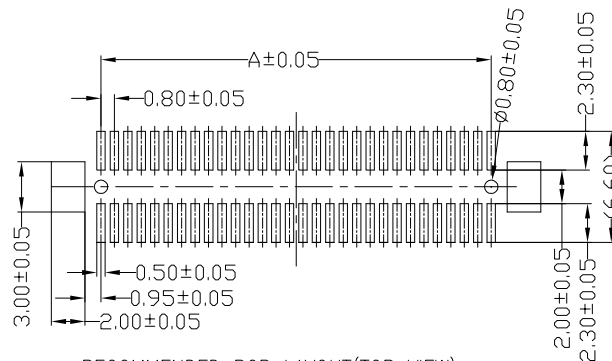
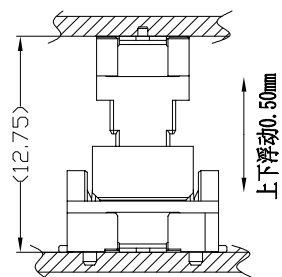
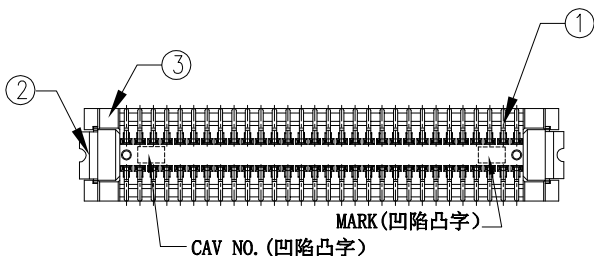


Note:
 Mechanical
 Mating force:40.0kgf max
 Unmating force:4.0kgf Min
 Durability:30Cycles
 Electrical
 Current Rating:0.5A max. Percontact
 Contact Resistance:100mΩ max
 Dielectric Withstanding Voltage:250VAC
 Insulation Resistance 500mega ohms min. at 250 VDC
 Physical
 Housing:thermoplastic, UL 94V-0 rated,inWhite Color
 Contact: Copper alloy
 Operating Temperature:-40°C to +105°C



5001-BFD 08A1-**-M R
 PACKING: R: REEL
 MALE
 PIN
 MATING HEIGHT: A1-10.75H
 0.8BTB
 JM CONN BTB CONNECTOR SERIES



RECOMMENDED PCB LAYOUT(TOP VIEW)

	A	B	C	D	E
30 PIN	11.2	12.5	14.2	16.2	16.8
40 PIN	15.2	16.5	18.2	20.2	20.8
50 PIN	19.2	20.5	22.2	24.2	24.8
60 PIN	23.2	24.5	26.2	28.2	28.8
70 PIN	27.2	28.5	30.2	32.2	32.8
80 PIN	31.2	32.5	34.2	36.2	36.8
90 PIN	35.2	36.5	38.2	40.2	40.8
100 PIN	39.2	40.5	42.2	44.2	44.8
110 PIN	43.2	44.5	46.2	48.2	48.8
120 PIN	47.2	48.5	50.2	52.2	52.8

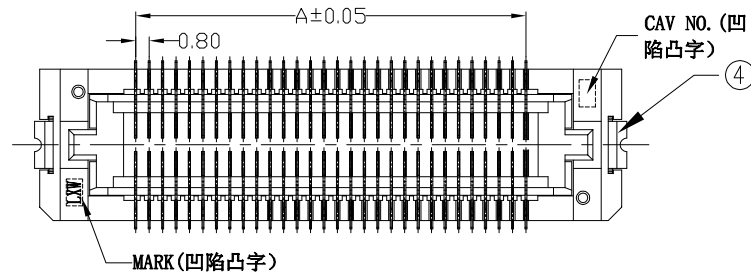
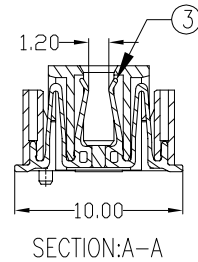
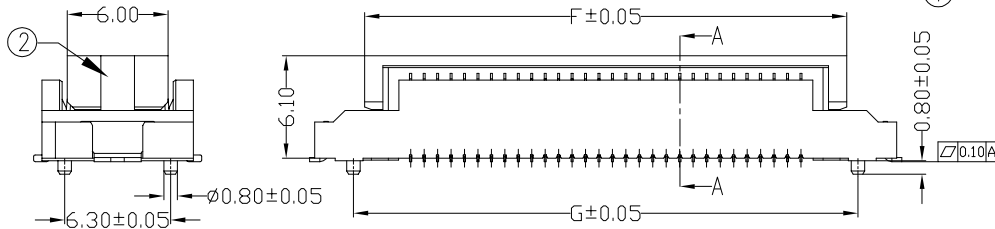
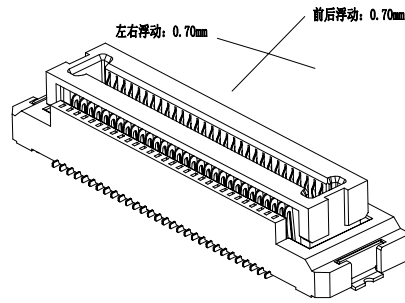
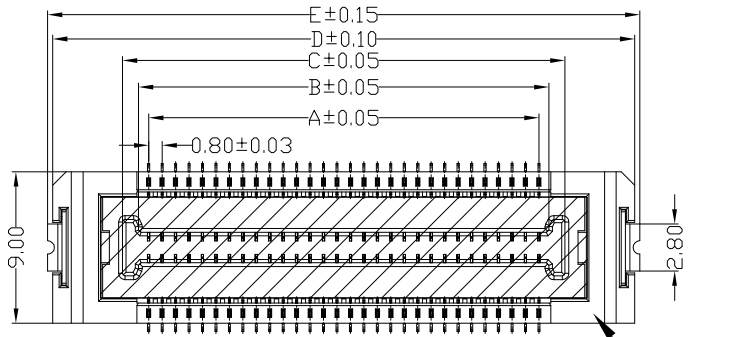
深圳市文章济美科技有限公司

一般公差
 GENERAL TOLERANCE
 .X ±0.20
 .XX ±0.15
 .XXX ±0.06
 ANGLES ±1°

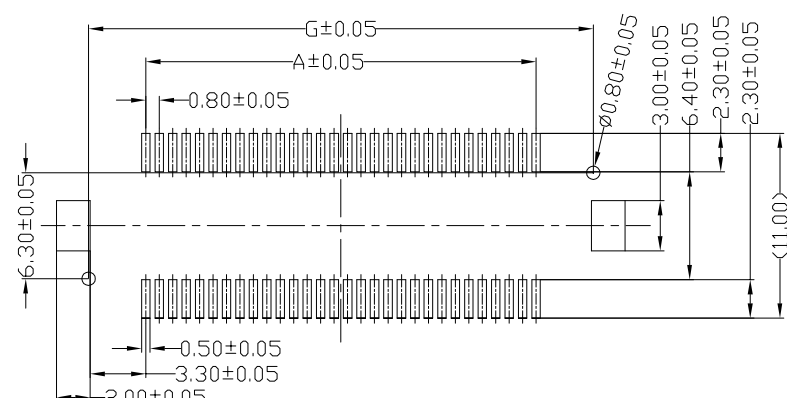
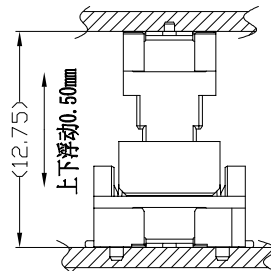
制图 (DR): Jerry 2018.11.21	品名(TITLE): BTB 0.8mm PITCH PLUG
审核 (CHKD):	料号(PART NO): 5001-BFD08A1-**-MR
核准 (APPD):	比例(SCALE): 1:1 单位(UNITS): mm 张数(SHEET): 1 OF 1 图幅(SIZE): A4

版本 (REV)	日期 (DATE)	签名 (SIGNATURE)	修改摘要 (REVISION DESCRIPTION)
A			





	A	B	C	D	E	F	G
30 PIN	11.2	12.4	14.3	22.6	23.2	16.65	18.0
40 PIN	15.2	16.4	18.3	26.6	27.2	20.65	22.0
50 PIN	19.2	20.4	22.3	30.6	31.2	24.65	26.0
60 PIN	23.2	24.4	26.3	34.6	35.2	28.65	30.0
70 PIN	27.2	28.4	30.3	38.6	39.2	32.65	34.0
80 PIN	31.2	32.4	34.3	42.6	43.2	36.65	38.0
90 PIN	35.2	36.4	38.3	46.6	47.2	40.65	42.0
100 PIN	39.2	40.4	42.3	50.6	51.2	44.65	46.0
110 PIN	43.2	44.4	46.3	54.6	55.2	48.65	50.0
120 PIN	47.2	48.4	50.3	58.6	59.2	52.65	54.0



Note:

Mechanical

Mating force: 40.0kgf max
 Unmating force: 4.0kgf Min
 Durability: 30 Cycles

Electrical

Current Rating: 0.5A max. Per contact
 Contact Resistance: 100mΩ max
 Dielectric Withstanding Voltage: 250VAC
 Insulation Resistance 500mega ohms min. at 250 VDC

Physical

Housing: thermoplastic, UL 94V-0 rated, in White Color
 Contact: Copper alloy
 Operating Temperature: -40°C to +105°C

5001-BFD 0861-**-**FR

PACKING: R: REEL
 FEMALE
 PIN
 MATING HEIGHT: 61-6.1H
 0.8BTB
 JM CONN BTB CONNECTOR SERIES



深圳市文章济美科技有限公司

一般公差
 GENERAL TOLERANCE
 .I ±0.20
 .II ±0.15
 .III ±0.06
 ANGLES ±1°

制图 (DR):	Jerry 2018.11.21	品名 (TITLE):	BTB 0.8mm PITCH SOCKET		
审核 (CHKD):		料号 (PART NO):	5001-BFD0861-**-**FR		
核准 (APPD):		比例 (SCALE):	1:1	单位 (UNITS):	mm
		张数 (SHEET):	1 OF 1	图幅 (SIZE):	A4

修订 (REV)	修改摘要 (REVISION DESCRIPTION)	签名 (SIGNATURE)	日期 (DATE)

