

NOTE:

1. MATERIAL:

HOUSING: HIGH TEMPERATURE THERMOPLASTIC(U194V-0), COLOR: NATURAL.

CONTACTS: COPPER ALLOY.

PEG: COPPER ALLOY.

ACTUATOR: HIGH TEMPERATURE THERMOPLASTIC(U194-V0).

2. RATING:

OPERATING VOLTAGE: 50Vrms AC.

CURRENT RATING: 0.5A.

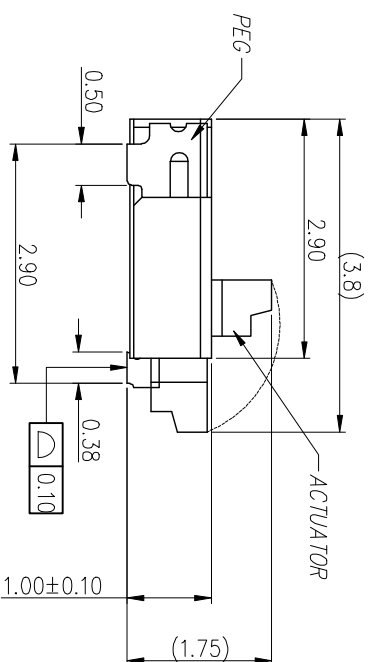
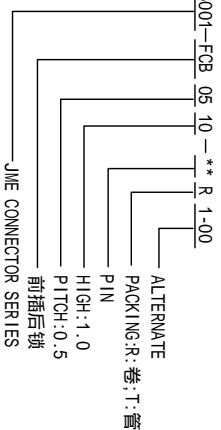
OPERATING TEMPERATURE: -55°C~+85°C.

OPERATING HUMIDITY RANGE: RELATIVE HUMIDITY 90% MAX.(NO CONDENSATION)

STORAGE TEMPERATURE RANGE: -10°C~+50°C.

STORAGE HUMIDITY RANGE: RELATIVE HUMIDITY 90% MAX.(NO CONDENSATION)

3. Pater Number: 5001-FCB 05 10 - \*\* R 1-00



深圳市文章济美科技有限公司

TITLE: FPC 0.5pitch 1.0H ZIF  
产品名稱: R/A Connector

DWG NO: 5001-FCB0510-\*\*-R1-00  
產品料號:

DATE: 20111209  
SCALE: 1:1  
UNIT: mm  
PAGE: 1/2

-TOLERANCES-  
UNLESS OTHERWISE SPECIFIED  
公差參考表

X.X : ±0.30 X.X' : ±5'

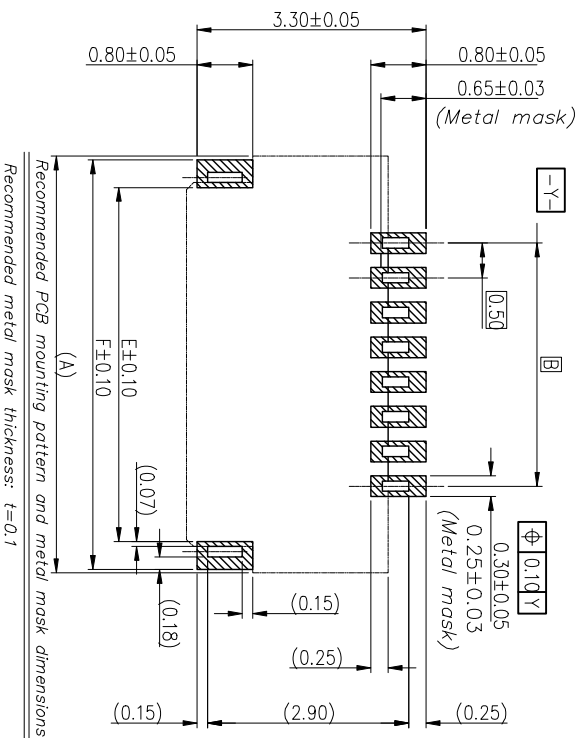
X.XX : ±0.20 X.XX' : ±2'

X.XXX: ±0.10 X.XXX' : ±1'

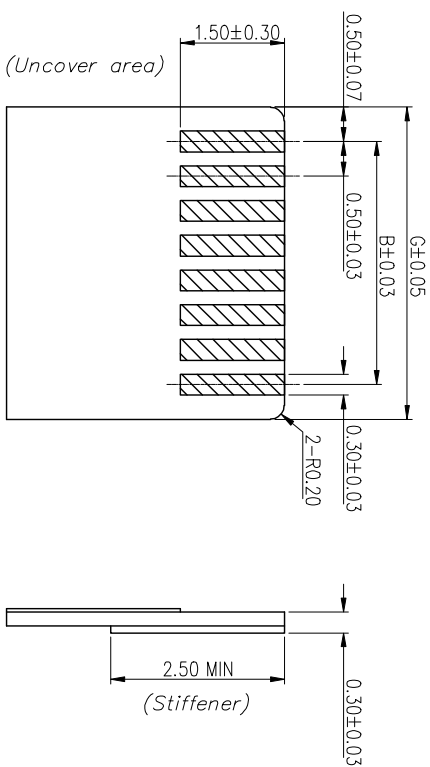
APPD: 校核:  
CHECK: 校對:  
DRAW: 繪圖:  
LUIPENG

REV	NEW DRAWING DESCRIPTION	ECN.NO	BY	DATE
A			LIU	02/27'13

本产品符合 RoHS 符合 SONY00259 其他  
※禁止使用本公司所禁用有毒物质



Recommended PCB mounting pattern and metal mask dimensions  
Recommended metal mask thickness:  $t=0.1$



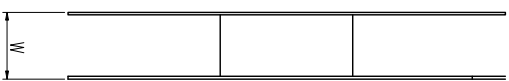
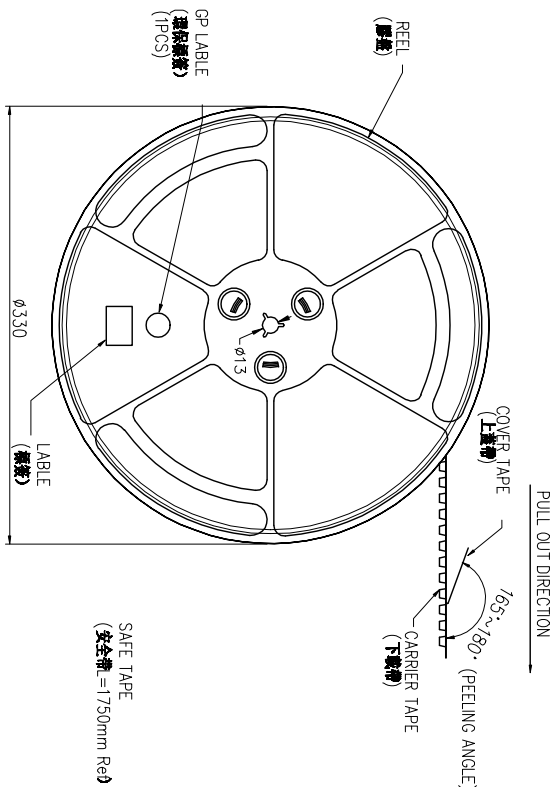
Recommended FPC/FFC Dimensions

50	27.00	24.50	25.57	26.39	26.10	26.90	25.50
45	24.50	22.00	23.07	23.89	23.60	24.40	23.00
40	22.00	19.50	20.57	21.39	21.10	21.90	20.50
34	19.00	16.50	17.57	18.39	18.10	18.90	17.50
32	18.00	15.50	16.57	17.39	17.10	17.90	16.50
30	17.00	14.50	15.57	16.39	16.10	16.90	15.50
26	15.00	12.50	13.57	14.39	14.10	14.90	13.50
24	14.00	11.50	12.57	13.39	13.10	13.90	12.50
23	13.50	11.00	12.07	12.89	12.60	13.40	12.00
22	13.00	10.50	11.57	12.39	12.10	12.90	11.50
20	12.00	9.50	10.57	11.39	11.10	11.90	10.50
16	10.00	7.50	8.57	9.39	9.10	9.90	8.50
14	9.00	6.50	7.57	8.39	8.10	8.90	7.50
12	8.00	5.50	6.57	7.39	7.10	7.90	6.50
11	7.50	5.00	6.07	6.89	6.60	7.40	6.00
10	7.00	4.50	5.57	6.39	6.10	6.90	5.50
8	6.00	3.50	4.57	5.39	5.10	5.90	4.50
7	5.50	3.00	4.07	4.89	4.60	5.40	4.00
6	5.00	2.50	3.57	4.39	4.10	4.90	3.50
4	4.00	1.50	2.57	3.39	3.10	3.90	2.50
Number of Contacts	DM A	DM B	DM C	DM D	DM E	DM F	DM G

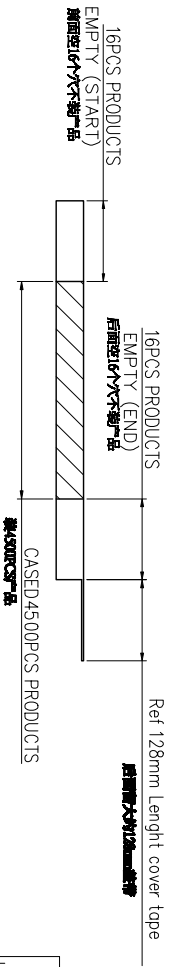
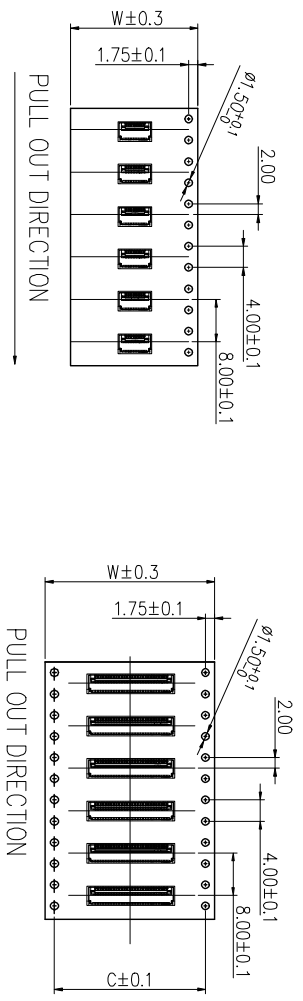
A	NEW DRAWING
REV	DESCRIPTION

ECN:NO	LIU
BY	BY
DATE	02/27'13

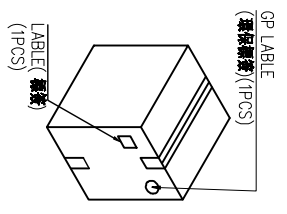
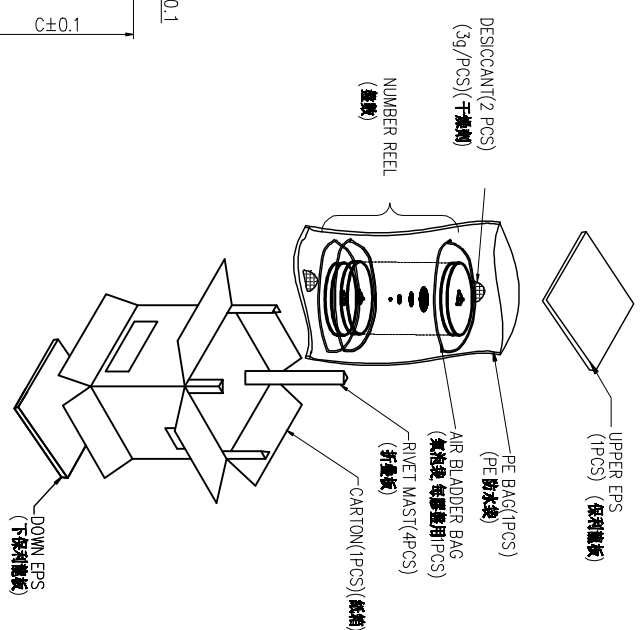
X.X	:±0.30	X.X'	:±5'	APPD:	核准:
X.XX	:±0.20	X.XX'	:±2'	CHECK:	校對:
X.XXX:±0.10	X.XXX'	:±1'	DRAW:	繪圖:	LIU
UNLESS OTHERWISE SPECIFIED			-TOLERANCES- 公差參考表		
深州市文章濟美科技有限公司			TITLE: FPC 0.5Pitch 1.0H ZIF		
產品名稱: R/A Connector			產品料號: 5001-FCB0510-**-R1-00		
DATE			SCALE		
20111209			1:1		
UNIT			PAGE		
mm			2/2		



SCALE 1:4



- NOTE:
- 1.10 Sprocket hole pitch cumulative tolerance  $\pm 0.20$ .
  2. Carrier camber is within 1mm in 100mm.
  3. Material: black conductive polystyrene alloy.
  4. Material Thickness:  $0.3\pm 0.05$ mm.
  5. All dimensions meet EIA-481-B requirements.
  6. 5000pcs Per Reel.
  7. For tape width (dim W) 16 and 24mm pilot holes are provided on one sides. For tape width (dim W) 32, 44 and 56mm pilot holes are provided on both sides.



PIN NO.	W	C	PCS	REEL	CARTON	SUM(PCS)
04PIN~1PIN	16	-	4000	15		67500
12PIN~27PIN	24	-	4000	10		45000
28PIN~39PIN	32	28.4	4000	8		36000
40PIN~50PIN	44	40.4	4000	6		27000

-TOLERANCES-  
UNLESS OTHERWISE SPECIFIED  
公差參考表

深圳市文章濟美科技有限公司  
TITLE: 0.5mm Pitch FPC Connector  
產品名稱:

APPRD:	核准:	DWG NO:	5001-FCB0510-**-R1-00
CHECK:	校對:	DATE	SCALE
DRAW:	繪圖:	LIU	UNIT
REV	DESCRIPTION	ECN: NO	BY
A	New Drawing	LIU	DATE
REV	DESCRIPTION	ECN: NO	DATE
1			
2			
3			
4			
5			
6			
7			
8			
9			
10			

本產品符合 RoHS SONY00259 v4HF 其他  
禁止使用本公司所禁用之物料