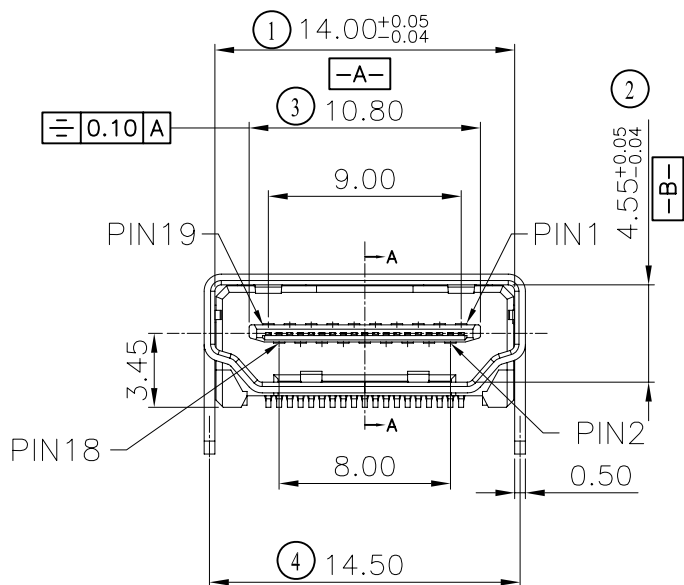


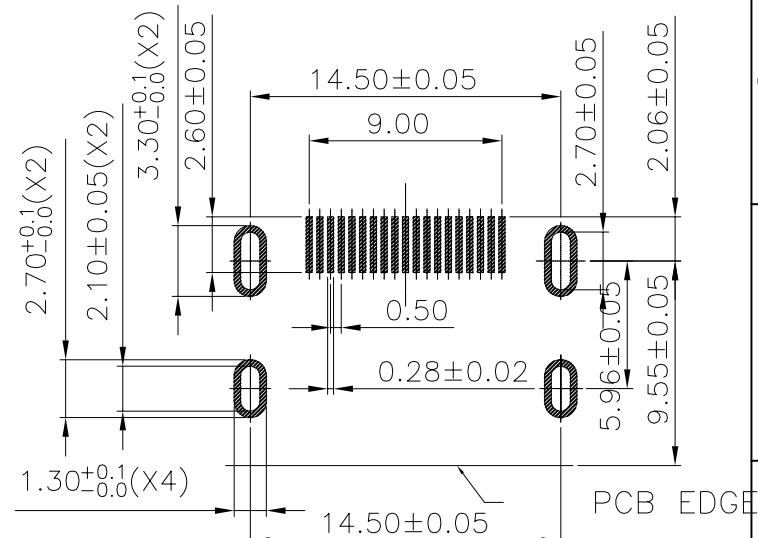
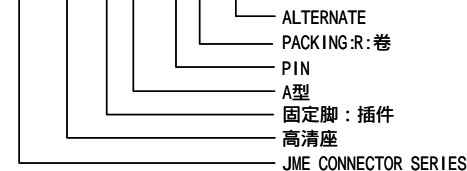
SECTION A-A  
SCALE 1:1



NOTES:

- MATERIAL:
  - HOUSING: LCP, BLACK, UL94V-0
  - SHELL: S50C
  - TERMINAL: BRASS
- PLATING:
  - SHELL: NICKEL(40u"Min) PLATING OVER ALL Cu (80u"Min)
  - TERMINAL: GOLD PLATING ON CONTACT AREA AND TIN PLATING ON SOLDER AREA, NICKEL UNDERPLATING OVER ALL(30u"Min)
- ALL RAW MATERIAL, COMPONENTS, AND PROCESS MUST MEET HAZARD SUSTAIN FREE PER RoHS & REACH STANDARD.

4. P/N: 5001-HDMI 01 A -19 R 1-00



**RECOMMENDED PCB LAYOUT**  
**(THICKNESS=1.6±0.15mm)**

Rev	Change Description	Date	Revisor
B	修改铁壳公差	2015/12/26	Chu
A	初版发行	2014/03/31	Chu
版本	变更内容	日期	制/修订人

CUSTOMER DRAWING		深圳市文章济美科技有限公司	
Tolerance Unspecified (未注公差)	Size (图幅): A4	Product Name (产品名称):	
0.0 ±0.38 0° ±5°	Unit (单位): MM	HDMI A/F 19PIN 成品图 (HSA客户图)	
0.00 ±0.25 0° 0 ±3°	Scale (比例): 1:1	Product No (产品料号):	
0.000 ±0.10 0° 0.00 ±1°	Project View (投影视角): 1 OF 1	5001-HDMI01A-19R1-00	
	Rev (版本): B	Designer (设计): Chu 03/31'14	Checked (审核):
		Approved (核准):	